

Deutsche
Qualität
Garantiert



POWER PLUS

30
years
Performance
Guarantee

15
years
Product
Warranty

30
years
Performance
Guarantee

15
years
Product
Warranty

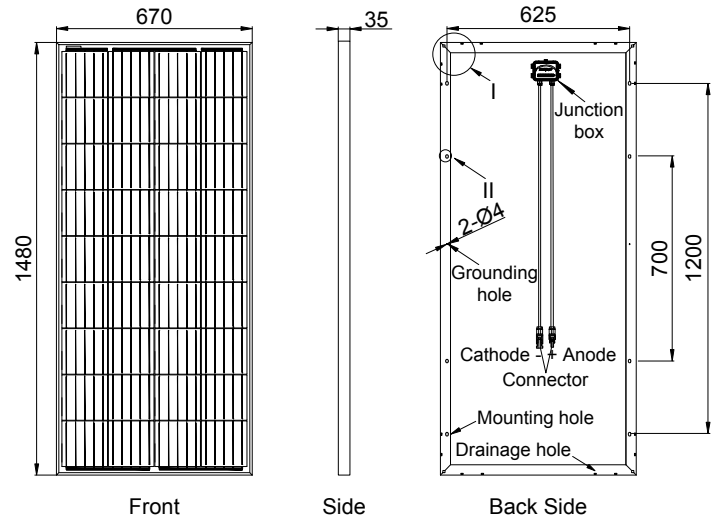
POLY-CRYSTALLINE PV MODULES
FULL CELLS • MONO-FACIAL

165W-170W
AE P6-36 Series

AE P6-36 Series 165W-170W

Mechanical and design specification

Cell type	Poly-Si PERC, Full cells, 156.75 mm
No. of cells	36
Glass	3,2 mm, high transmission, AR coated, tempered
Encapsulation	EVA
Back cover	White Backsheet
Junction box	IP 68 rated
Frame	35 mm anodized Aluminium alloy
Cable	1 x 4 mm ² , 900 mm length or customized
Connectors	MC 4 / MC 4 compatible
Dimension	1480 mm x 670 mm x 35 mm
Weight	10.8 kg
Hail resistance	Max. Ø 25 mm at 23 m/s
Wind load	2400 Pa/ 244 kg/ m ²
Mechanical load	5400 Pa/ 550 kg/ m ²

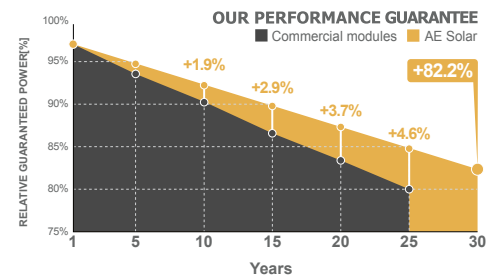
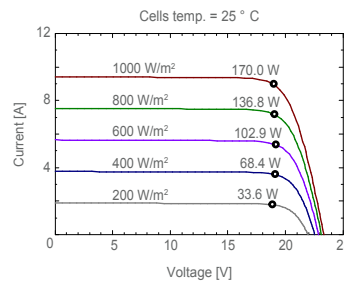
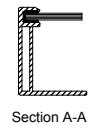
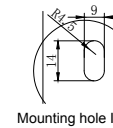
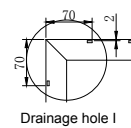


Packaging information

Packaging configuration	93 pcs / double pallet
Loading capacity	1395 pcs / 40 HQ
Size / Pallet	1510 mm x 1140 mm x 2370 mm
Weight	1135 kg / double pallets

Temperature ratings

Operating temperature	(°C)	-40 to +85
Temp.coefficient of P _{max}	(%/°C)	-0.40
Temp.coefficient of V _{oc}	(%/°C)	-0.31
Temp.coefficient of I _{sc}	(%/°C)	0.053
Nom. operating temp. NOCT	(°C)	45 ± 2



Electrical specifications (STC*):		AE165P6-36	AE170P6-36
Nominal Max. Power	P _{max} (Wp)	165	170
Maximum operating voltage	V _{MPP} (V)	18.73	19.15
Maximum operating current	I _{MPP} (A)	8.81	8.88
Open-circuit voltage	V _{oc} (V)	23.10	23.31
Short-circuit current	I _{sc} (A)	9.35	9.42
Module efficiency	η (%)	16.64	17.14
Power tolerance	(W)	0~+5	
Maximum system Voltage	(V)	1500	
Maximum series fuse rating	(A)	15	

*STC: Standard test conditions (Irradiance 1000 W/m², Cell temperature 25°C and air mass of AM1.5)

Electrical specifications (NMOT*):		AE165P6-36	AE170P6-36
Nominal Max. Power	P _{max} (Wp)	125	129
Maximum operating voltage	V _{MPP} (V)	17.80	18.19
Maximum operating current	I _{MPP} (A)	7.05	7.10
Open-circuit voltage	V _{oc} (V)	21.95	22.15
Short-circuit current	I _{sc} (A)	7.48	7.54

*NMOT: Normal Module Operating Temperature (Irradiance 800 W/m², Ambient temperature 20°C, air mass of AM1.5 and wind speed of 1 m/s)

The specifications and characteristics contained in this datasheet may deviate slightly from our actual products due to the product developments and uncertainty of measurement devices. The specifications included in the datasheet are subject to change without prior notice.